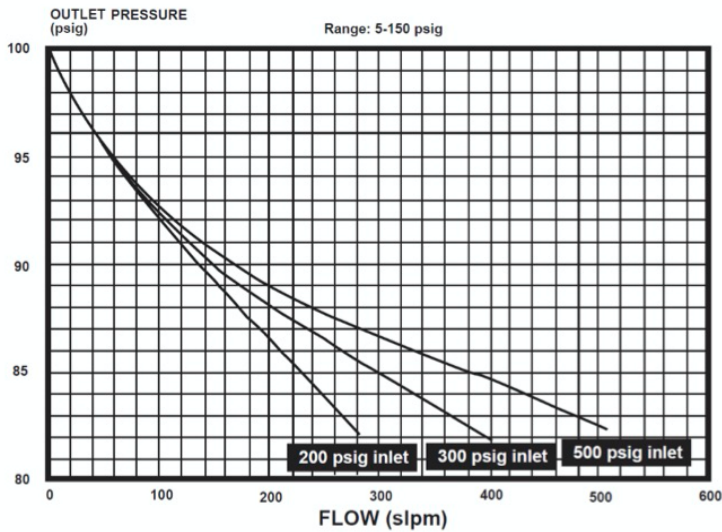
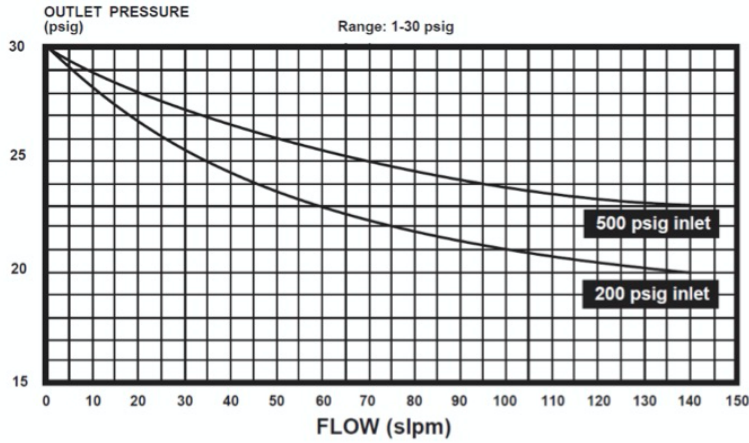


VU2000 Series

High Flow Regulator

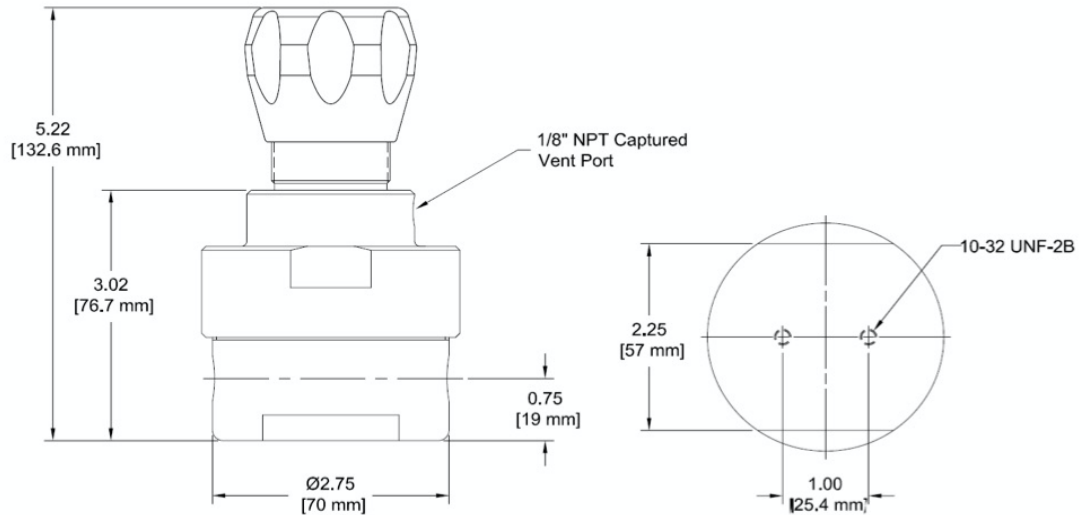
Flow Curve



VU2000 Series

High Flow Regulator

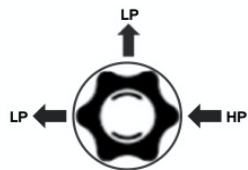
Cross Sectional Drawing



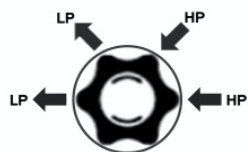
Porting Configurations



Porting Code
2P



Porting Code
3P



Porting Code
4P

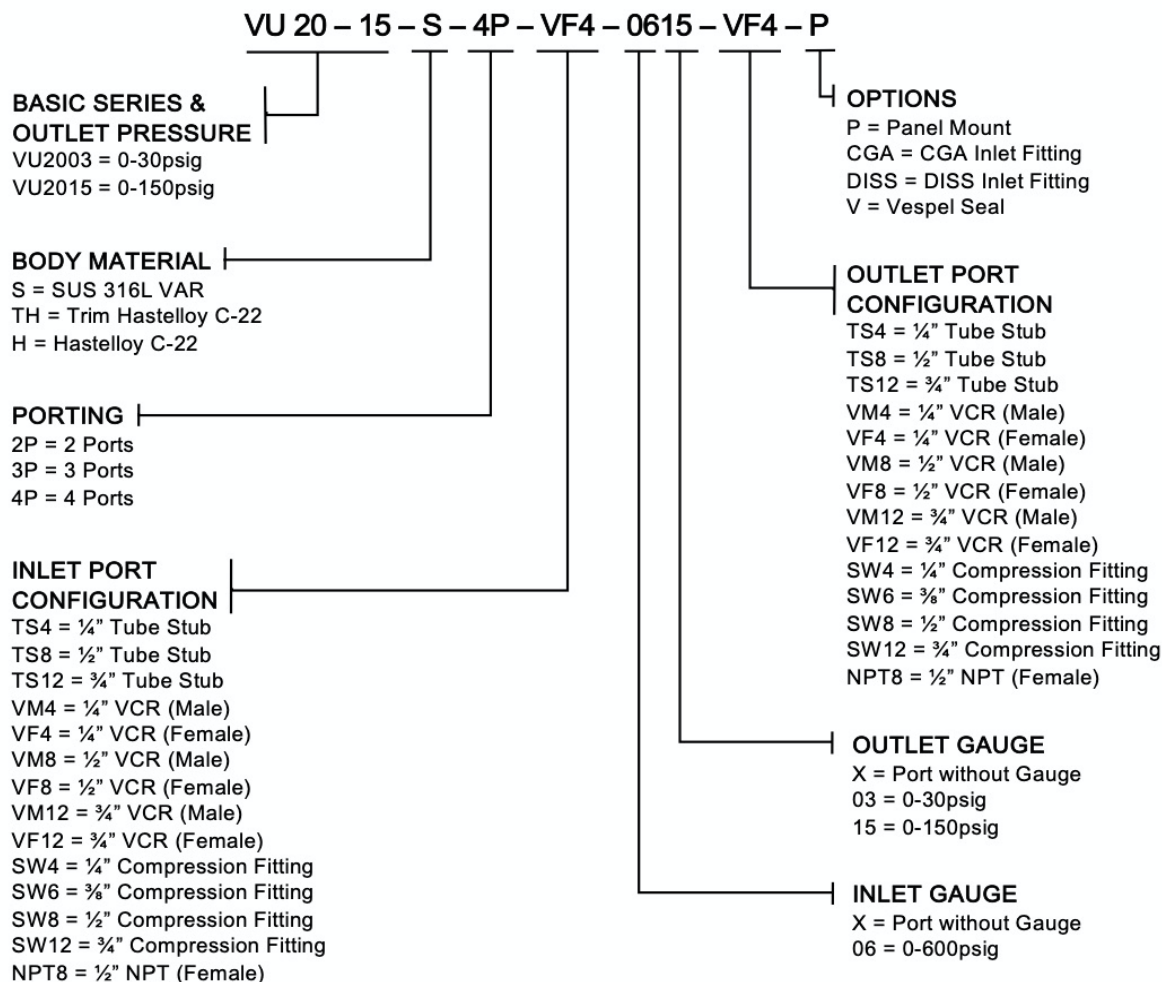
Connection Chart

Connection Size Inlet & Outlet	"A"	
	inch	mm
¼" TS	3.76	95.50
⅜" TS	5.00	127.00
½" TS	5.00	127.00
¼" FS	4.30	109.00
½" FS	5.20	133.00
½" Compression Fitting	4.78	121.40

VU2000 Series

High Flow Regulator

Ordering Information



EXAMPLE:

- VU2015-S-4P-VF4-0615-VF4-P
4 port 1/4" VCR (Female) VU2015 with inlet gauge 600psig and outlet gauge 150psig, panel mounting.
- VU2003-S-3P-NPT8-03-CGA
3 port 1/2" NPT VU2003 (0-30psig) with CGA inlet fitting.
- VU2015-S-2P-SW4
2 port 1/4" compression fitting VU2015 (1-150psig) without gauge port.