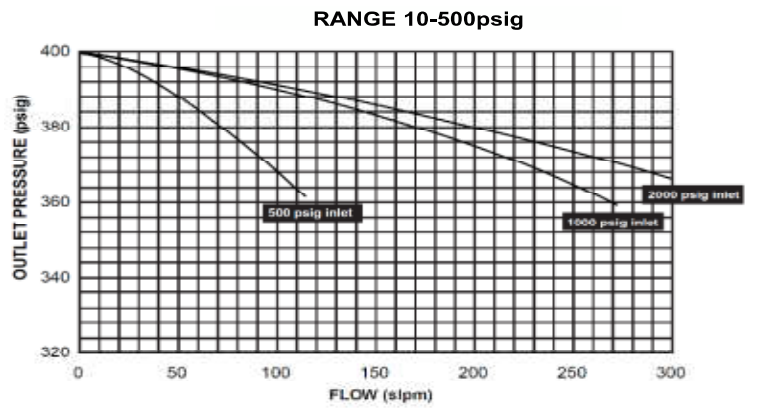
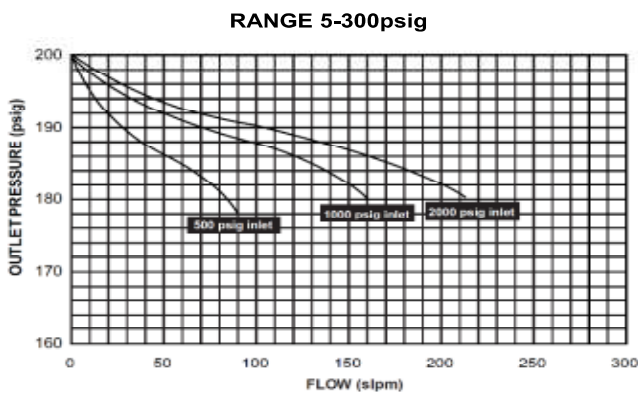
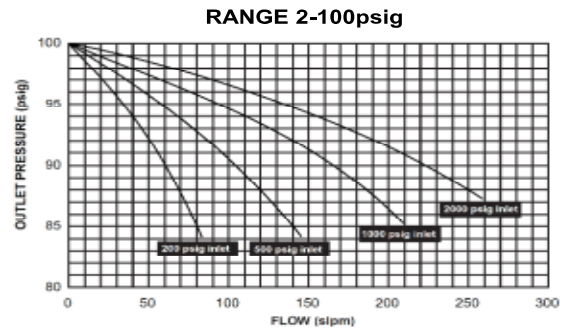
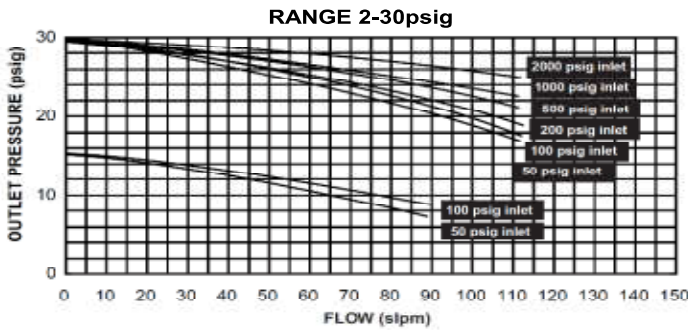


VU1000 Series

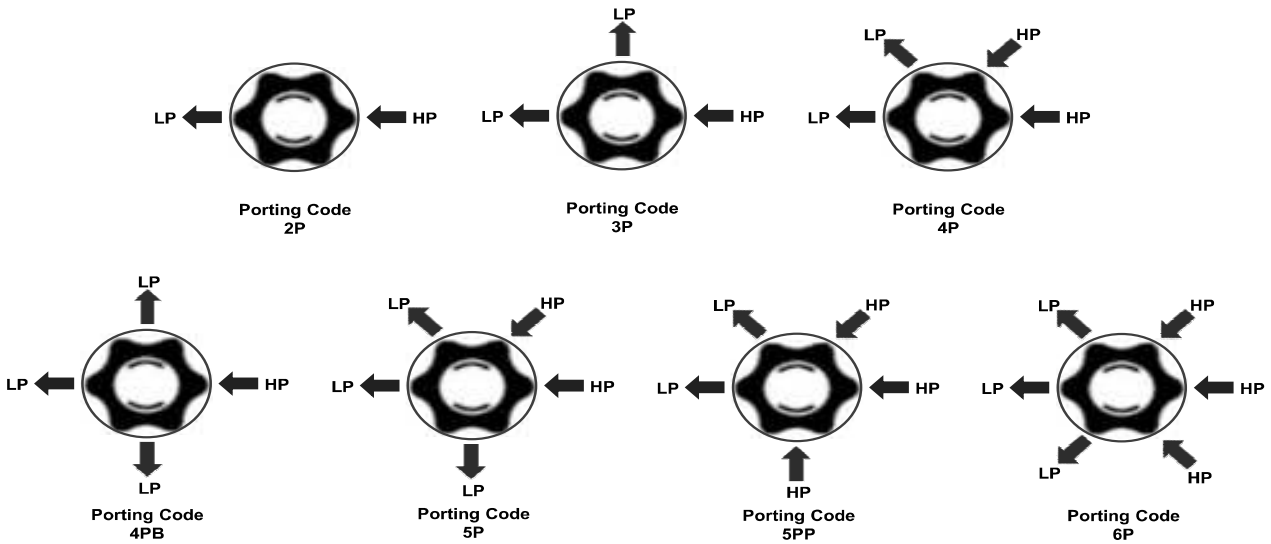
Pressure Reducing Regulator

Flow Curve

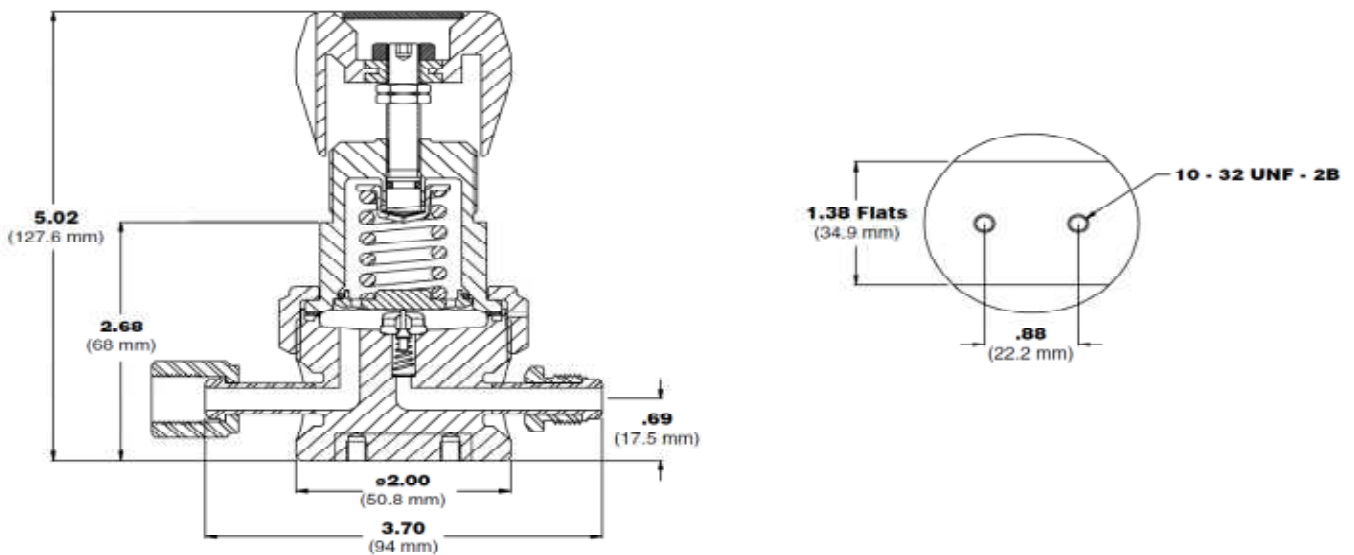


VU1000 Series Pressure Reducing Regulator

Porting Configurations



Dimensional Drawing



VU1000 Series

Pressure Reducing Regulator

Ordering Information

VU 10 – 10 – S – 4P – VF4 – 3015 – VF4 – P

BASIC SERIES & OUTLET PRESSURE

VU1003 = 0-30psig
 VU1010 = 0-100psig
 VU1030 = 0-300psig
 VU1050 = 0-500psig

BODY MATERIAL

S = S/S 316L
 TH = Trim Hastelloy C-22
 H = Hastelloy C-22

PORTING

2P = 2 Ports
 3P = 3 Ports
 4P = 4 Ports
 4PB = 4 Ports
 5P = 5 Ports
 5PP = 5 Ports
 6P = 6 Ports

INLET PORT CONFIGURATION

TS4 = 1/4" Tube Stub
 TS8 = 1/2" Tube Stub
 VM4 = 1/4" VCR (Male)
 VF4 = 1/4" VCR (Female)
 VM8 = 1/2" VCR (Male)
 VF8 = 1/2" VCR (Female)
 SW4 = 1/2" Compression Fitting
 SW6 = 3/8" Compression Fitting
 SW8 = 1/2" Compression Fitting
 NP4 = 1/4" NPT (Female)

OPTIONS

P = Panel Mount
 CGA = CGA Inlet Fitting
 DISS = DISS Inlet Fitting
 V = Vespel Seal

OUTLET PORT CONFIGURATION

TS4 = 1/4" Tube Stub
 TS8 = 1/2" Tube Stub
 VM4 = 1/4" VCR (Male)
 VF4 = 1/4" VCR (Female)
 VM8 = 1/2" VCR (Male)
 VF8 = 1/2" VCR (Female)
 SW4 = 1/2" Compression Fitting
 SW6 = 3/8" Compression Fitting
 SW8 = 1/2" Compression Fitting
 NP4 = 1/4" NPT (Female)

OUTLET GAUGE

X = Port without Gauge
 03 = 0-30psig
 15 = 0-150psig
 60 = 0-600psig

INLET GAUGE

X = Port without Gauge
 30 = 0-3000psig

EXAMPLE:

- VU10-10-S-4P-VF4-3015-VF4-P
4 port 1/4" VCR (Female) VU1010 with inlet gauge 3,000psig and outlet gauge 150psig, panel mounting.
- VU10-10-S-2P-NP4-NP4-CGA
2 port 1/4" NPT VU1010 (0-100psig) with CGA inlet fitting.
- VU10-03-S-4P-SW4-3003-SW4
4 port 1/4" compression fitting VU1003 with inlet gauge 3,000psig and outlet gauge 30psig.